



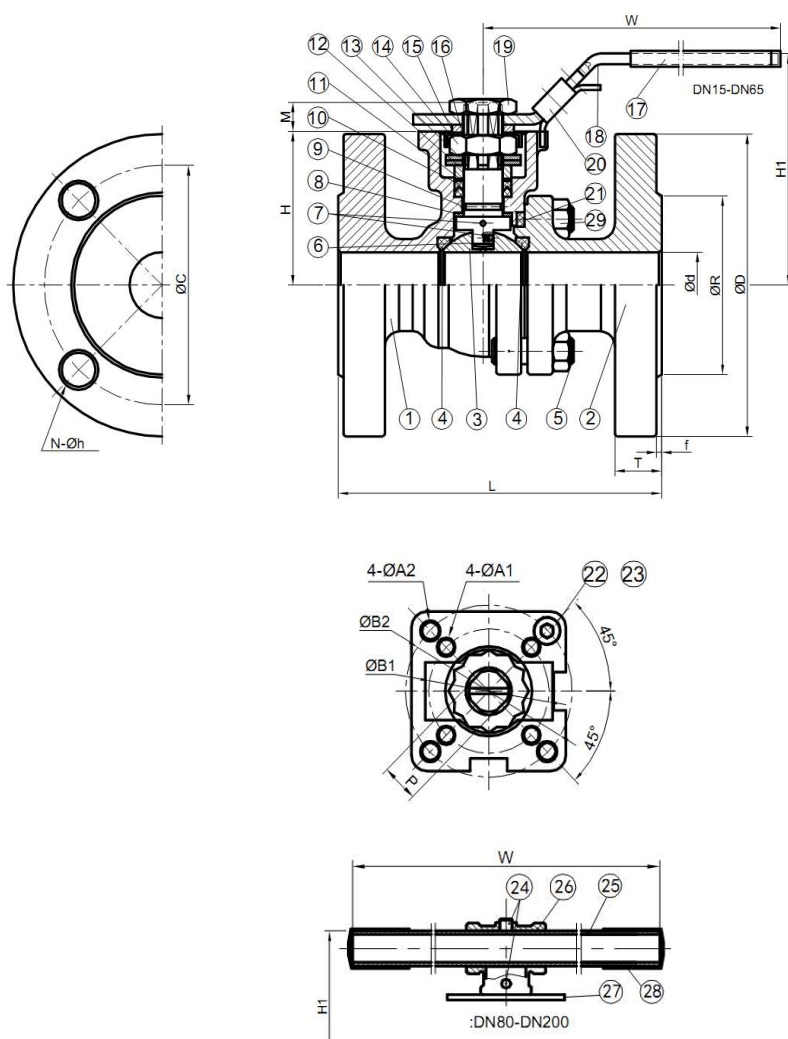
Nominal pressure: PN 10 / 16 / 25 / 40
Face to face acc. to EN558-1 R 27
Flanges acc. to DIN EN 1092-1 B1
Body: stainless steel (1.4408)
Ball: stainless steel (1.4408)
Ball seats: TFM 1600
Full Bore
Blow-out proof stem in stainless steel
Anti-Static-Device
Operation: lockable hand lever,
optional with gearbox and handwheel

Approvals/Tests:

ATEX, TA-Luft VDI 2440, FireSafe acc. to ISO 10497-5, AD 2000, SIL, LR, DNV-GL, BV, TR CU 010

Nominal diameter	Nominal pressure	Article number
DN15	PN40	KH-WA2FL-15-40
DN20	PN40	KH-WA2FL-20-40
DN25	PN40	KH-WA2FL-25-40
DN32	PN40	KH-WA2FL-32-40
DN40	PN40	KH-WA2FL-40-40
DN50	PN40	KH-WA2FL-50-40
DN65	PN16	KH-WA2FL-65-16
	PN40	KH-WA2FL-65-40
DN80	PN16	KH-WA2FL-80-16
	PN40	KH-WA2FL-80-40
DN100	PN16	KH-WA2FL-100-16
	PN40	KH-WA2FL-100-40
DN125	PN16	KH-WA2FL-125-16
	PN40	KH-WA2FL-125-40
DN150	PN16	KH-WA2FL-150-16
	PN40	KH-WA2FL-150-40
DN200	PN10	KH-WA2FL-200-10
	PN16	KH-WA2FL-200-16
	PN25	KH-WA2FL-200-25
	PN40	KH-WA2FL-200-40

Dimensions in mm																						
Nominal diameter	Ød	long (F1) R 1		short (F4) R 27		ØR	ØD	ØC	f	T	N	Øh	H	H1	M	P	A1	A2	B1	B2	W	
		L	kg	L	kg																	
PN16																						
DN15	15	130	2,41	115	2,36	45	95	65	2	16	4	14	48	78	9	9	6	6	36	42	145	
DN20	20	150	3,23	120	3,16	58	105	75	2	18	4	14	53	84	9	9	6	6	36	42	145	
DN25	25	160	4,37	125	4,09	68	114	85	2	18	4	14	58,5	89,3	11	11	6	7	42	50	175	
DN32	32	180	5,95	130	5,51	78	140	100	2	18	4	18	71	101	11	11	6	7	42	50	175	
DN40	38	200	7,8	140	7,2	88	150	110	3	18	4	18	76	107	14	14	7	9	50	70	190	
DN50	50	230	10,4	150	9,7	102	165	125	3	20	4	18	85	116	14	14	7	9	50	70	190	
DN65	63,5	290	15,5	170	13,83	122	185	145	3	18	4	18	101,5	150	17	17	9	11	70	102	265	
DN80	76	310	20,06	180	17,95	138	200	160	3	20	8	18	111,5	176	17	17	9	11	70	102	300	
DN100	100	350	28,64	190	25,7	158	220	180	3	20	8	18	140	205	22	22		11		102	400	
DN125	125	400		325	47,9	188	250	210	3	20	8	18	183	255,5	27	27	14		125		600	
DN150	150	480		350	69	212	285	240	3	22	8	22	204	275	27	27	14		125		800	
DN200	200	600		400	114,4	268	340	295	3	24	12	22	252,5	628	27	27	14		125		800	



Material of construction		
No.	Part name	Materials
		DIN
1	Body	1.4408
2	End cap	1.4408
3	Ball	1.4408
4	Ball seat	TFM1600
5	Bolting	A2-70
6	Stem	316
7	Anti-Static-Device	316
8	Trust washer	TFM1600
9	O-Ring	FKM
10	Stem packing	Graphit
11	Bushing	304
12	Gland	316
13	Belleville washer	301
14	Stem nut	A194-8
15	Stop-lock-cap	304
16	Washer	304
17	Handle sleeve	Vinyl-plastic
18	Lever (up to DN65)	304
19	Handle nut	A194-8
20	Lock device	304
21	Body gasket	316 Spiral wound+ graphit
22	Handle adapter	Stainless steel A351-CF8
23	90° Stop bolt	304
24	Gearbox (optional)	GG 25 / Stainless steel A304
25	Pipe handle (from DN80)	Galvanised steel
26	Handle-adapter	A351-CF8
27	90°-Stop bolt	304
28	Handle Sleeve	Vinyl-plastic
29	Stem Nut	A2-70