

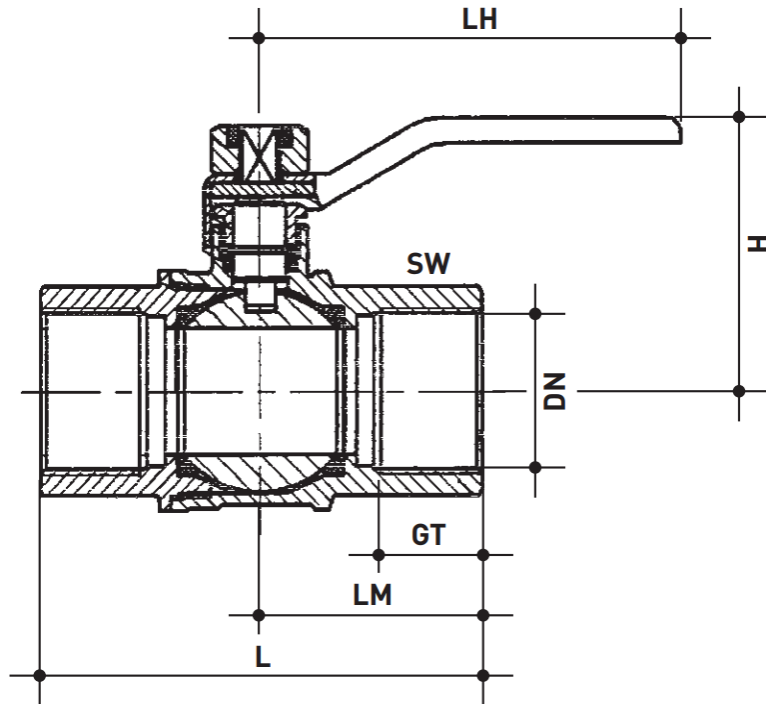


Nominal Pressure: 20 / 40 / 50
End-to-End: DIN EN 16722 M3 (DIN3202)
Connections: Female threads on both sides
DIN EN 10226 (DIN2999)
Body: Brass CW 614 N
Ball: Brass CW 614 N, chrome plated
Ball Seats: PTFE
Full Bore
adjustable Packing
incl. hand lever

Zulassungen/Zertifikate:



| Nominal Diameter / Size | | Nominal Pressure | Article number |
|-------------------------|--------|------------------|----------------|
| DN10 | 3/8" | PN30 | KH-1449-3/8" |
| DN15 | 1/2" | PN30 | KH-1449-1/2" |
| DN20 | 3/4" | PN30 | KH-1449-3/4" |
| DN25 | 1" | PN25 | KH-1449-1" |
| DN32 | 1 1/4" | PN25 | KH-1449-1 1/4" |
| DN40 | 1 1/2" | PN25 | KH-1449-1 1/2" |
| DN50 | 2" | PN20 | KH-1449-2" |
| DN65 | 2 1/2" | PN20 | KH-1449-2 1/2" |
| DN80 | 3" | PN20 | KH-1449-3" |
| DN100 | 4" | PN20 | KH-1449-4" |



| DN | PN | L | LM | H | LH | GT | SW | Weight g | |
|--------|-----|----|-----|------|-----|-----|----|----------|-------|
| 3/8" | 10 | 50 | 60 | 30 | 36 | 84 | 12 | 21 | 160 |
| 1/2" | 15 | 50 | 75 | 37,5 | 46 | 84 | 15 | 25 | 235 |
| 3/4" | 20 | 40 | 80 | 40 | 50 | 84 | 16 | 31 | 350 |
| 1" | 25 | 40 | 90 | 45 | 55 | 100 | 20 | 38 | 560 |
| 1 1/4" | 32 | 40 | 110 | 55 | 72 | 117 | 21 | 48 | 1000 |
| 1 1/2" | 40 | 40 | 120 | 60 | 75 | 136 | 24 | 54 | 1590 |
| 2" | 50 | 40 | 140 | 70 | 85 | 136 | 27 | 66 | 2700 |
| 2 1/2" | 65 | 20 | 185 | 95 | 100 | 163 | 33 | 82 | 4460 |
| 3" | 80 | 20 | 210 | 105 | 114 | 225 | 38 | 97 | 7390 |
| 4" | 100 | 20 | 250 | 125 | 120 | 225 | 40 | 125 | 13200 |

