

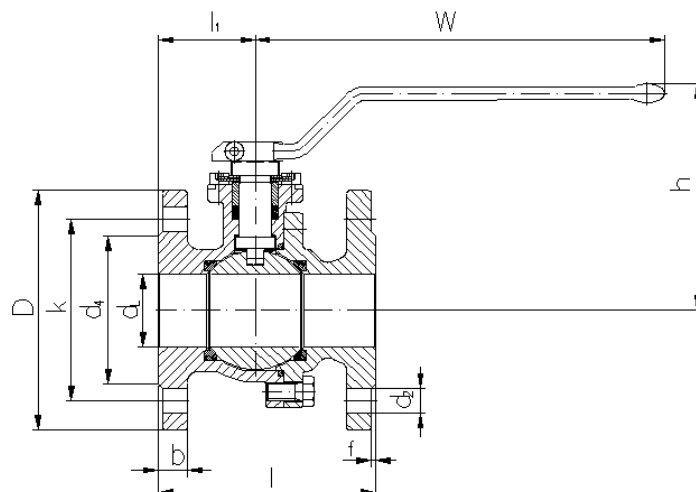
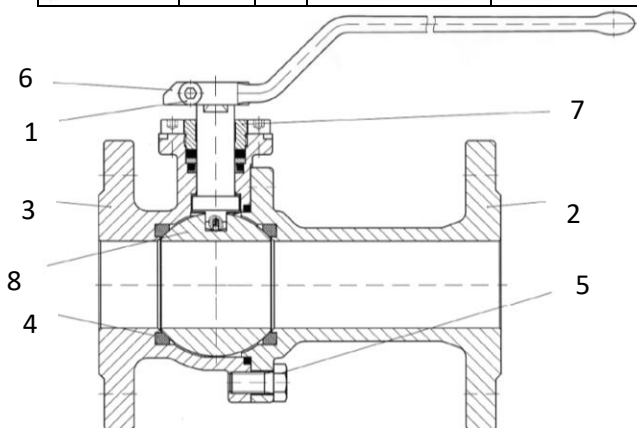


Nominal Pressure: PN 16 / 40
Face to face acc. to EN558-1 R 28
Flanges acc. to DIN EN 1092-1 B1
Body: Steel (1.0619)
Coating: blue, RAL 5002
Ball: Stainless Steel (1.4408)
Ball Seats: pure TFM
Full Bore
Stem: Duplex (1.4462)
Anti-Static-Design
Operation: Hand lever,
lockable hand lever

Tests/Certificates: TA-Luft acc. to VDI 2440, FireSafe acc. to BS6755 T2 and ISO10497

Nominal Diameter	Nominal Pressure	Article number
DN15	PN40	KH-ST-15-40
DN20	PN40	KH-ST-20-40
DN25	PN40	KH-ST-25-40
DN32	PN40	KH-ST-32-40
DN40	PN40	KH-ST-40-40
DN50	PN40	KH-ST-50-40
DN65	PN16	KH-ST-65-16
DN65	PN40	KH-ST-65-40
DN80	PN40	KH-ST-80-40
DN100	PN16	KH-ST-100-16
DN100	PN40	KH-ST-100-40
DN150	PN16	KH-ST-150-16

Dimensions in mm															
Nominal Diameter	PN	Ød	Face to face l		l ₁	h	W	D	b	k	z	d ₂	d ₄ x f	ISO	kg
			long (F1/F17/R28)	short (F4/F18/R27)											
DN15	10-40	15	130	115	53	108	210	95	16	65	4	14	45x2	F05	2,5
DN20	10-40	20	150	120	55	119		105	18	75			58x2		4,0
DN25	10-40	25	160	125	57	124		115		85			68x2		5,0
DN32	10-40	31	180	130	58	133		140	100	78x2			6,5		
DN40	10-40	40	200	140	65	151	282	150	20	110	18	88x3	F07	9,0	
DN50	10-40	50	230	150	67	159		165		125		102x3		12,5	
DN65	10-16	65	290	170	71	170		185	145	122x3		16,0			
DN65	40	65	290	170	71	170		185	145	122x3		16,5			
DN80	10-16	77	310	180	83	139	500	200	20	160	8	138x3	F10	22,5	
DN80	40	77	310	180	83	139		200		160		138x3		23,5	
DN100	10-16	100	350	190	87	157		220	180	158x3		30,5			
DN100	40	100	350	190	87	157		235	190	158x3		34,0			



Material of Construction		
No.	Part Name	Material
1	Body	1.0619
2	Body Part	1.0619
3	Ball	1.4404/1.4408
4	Seat ring	Pure TFM
5	Body screws	A4-70
6	Hexagon screw	8.8 gal Zn
7	Hexagon screw	1.4404
8	Hand lever	1.4308
9	Stem	1.4462
10	Lower control shaft bearing	Pure TFM
11	Upper control shaft bearing	1.4401 / PTFE
12	Joint ring	Graphit + PTFE
13	Joint ring	Graphit
14	Cup seal	PTFE, rein
15	Pressure ring	1.4404
16	Wedge ring	Graphit

