



**Nominal Pressure: PN 16 / 40**  
**Flanges acc. to EN 1092-1**  
**Body: Stainless Steel (1.4408)**  
**Ball: Stainless Steel (1.4408)**  
**Ball Seat: TFM 1600**  
**Full Bore with L- or T-Bore**  
**Blow-out Proof Stem in Stainless Steel**  
**Anti-Static-Device**  
**Operation: lockable Handlever,**  
**optional with gear box with handwheel**

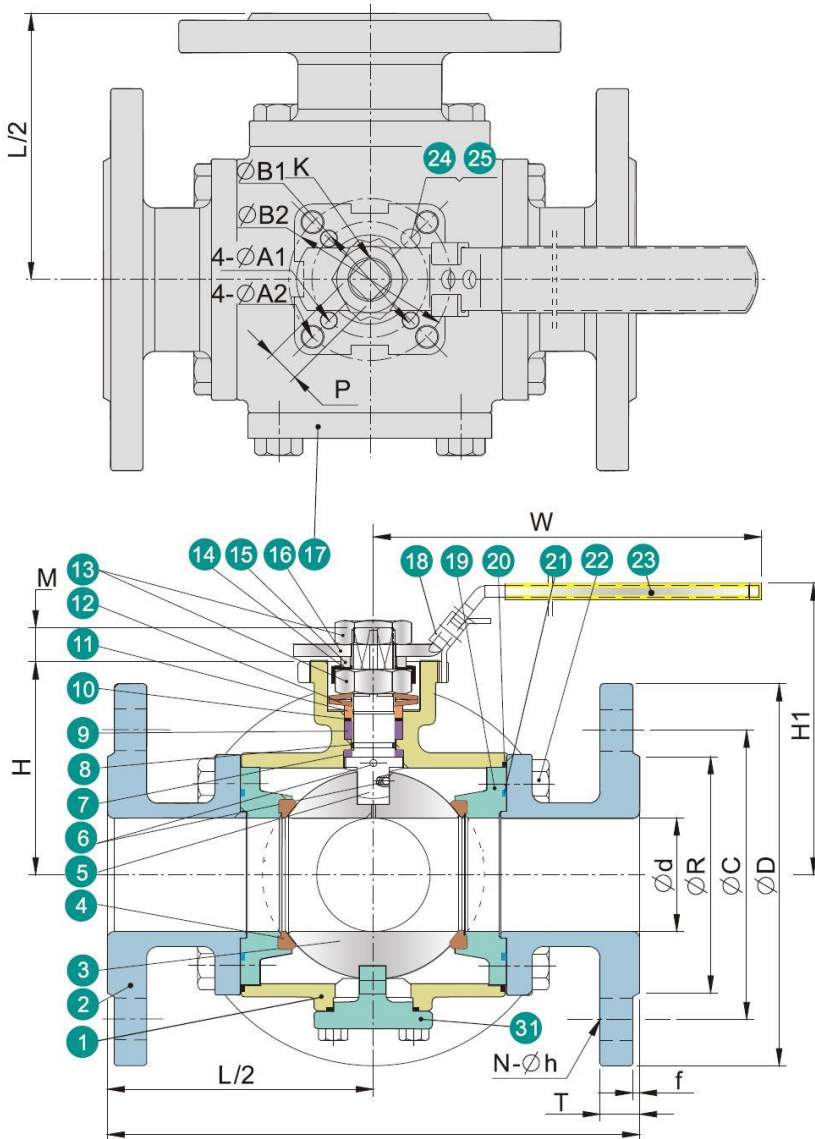
Nominal Diameter	Nominal Pressure	Article number Ball with L-Bore	Article number Ball with T-Bore
DN 15	PN 40	KH-WA-FL3W-15-EL	KH-WA-FL3W-15-ET
DN 20	PN 40	KH-WA-FL3W-20-EL	KH-WA-FL3W-20-ET
DN 25	PN 40	KH-WA-FL3W-25-EL	KH-WA-FL3W-25-ET
DN 32	PN 40	KH-WA-FL3W-32-EL	KH-WA-FL3W-32-ET
DN 40	PN 40	KH-WA-FL3W-40-EL	KH-WA-FL3W-40-ET
DN 50	PN 40	KH-WA-FL3W-50-EL	KH-WA-FL3W-50-ET
DN 65	PN 16	KH-WA-FL3W-65-EL	KH-WA-FL3W-65-ET
DN 80	PN 16	KH-WA-FL3W-80-EL	KH-WA-FL3W-80-ET
DN 100	PN 16	KH-WA-FL3W-100-EL	KH-WA-FL3W-100-ET
DN 125	PN 16	KH-WA-FL3W-125-EL	KH-WA-FL3W-125-ET
DN 150	PN 16	KH-WA-FL3W-150-EL	KH-WA-FL3W-150-ET

### Flow Patterns

		L-Bohrung	T-Bohrung			
Position	90°					
	0°					
Schaltstellung		L	T1	T2	T3	T4



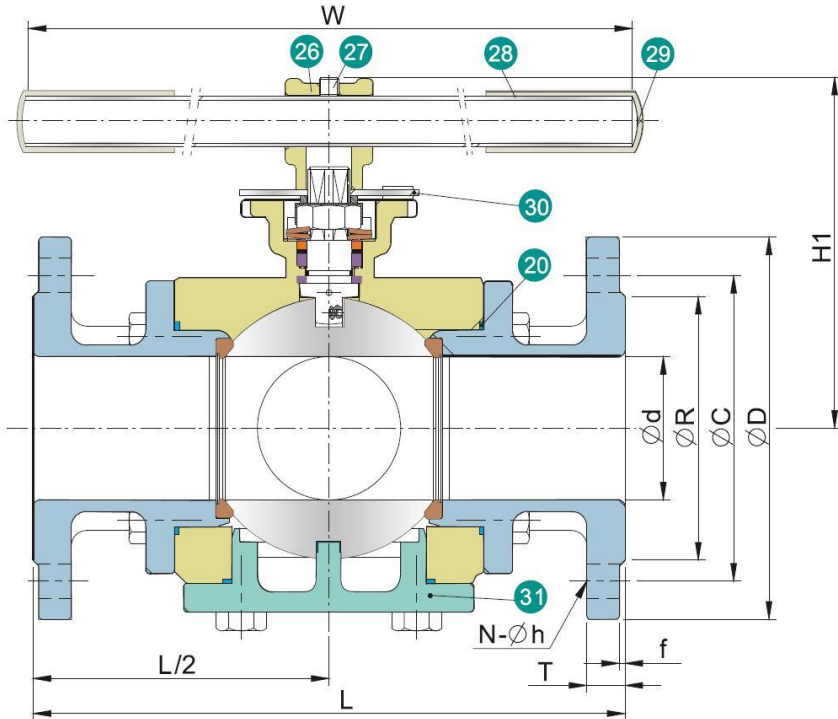
DN 15 up to 50



No.	Part Name	Material
1	Body	1.4408
2	End Caps	1.4408
3	Ball	1.4408
4	Ball Seat	TFM 1600
5	Stem	SS316
6	Anti-Static Device	SS316
7	Safety Plate	PTFE
8	O-Ring	FKM
9	V-Ring Packing	PTFE
10	Bushing	50%VA+50%PTFE
11	Pressure Ring	SS316
12	Cup Spring	SS301
13	Spindle Nut	A194-8
14	Rotation Lock	SS304
15	Distance Ring	SS304
16	Handlever	SS304
17	Cover	1.4408
18	Locking Device	SS304
19	Seat Bearing	1.4408
20	Body Sealing	PTFE
21	Cover Gasket	PTFE
22	Screw	A193-B8
23	Handle Sleeve	PVC
24	Nuts	A194-8
25	Handle Stop	A193-B8

Nominal Diameter	ø d	L	ø R	ø D	ø C	f	T	H	H1	N	ø h	W	P	M	ø B1	ø B2	Kg
DN 15	15	150	45	95	65	2	16	53	83	4	14	147	9	9	36	42	4,4
DN 20	20	165	58	105	75	2	18	57	87	4	14	147	9	9	36	50	5,9
DN 25	25	181	68	115	85	2	18	68	99	4	14	177	11	11	42	50	8,6
DN 32	32	190	78	140	100	2	18	72	103	4	18	177	11	11	42	50	10,8
DN 40	38	212	88	150	110	3	18	85	119	4	18	197	14	14	50	70	13,9
DN 50	49	232	102	165	125	3	20	92	126	4	18	197	14	14	50	70	19,2

DN 65 up to 150



No.	Part Name	Material
1	Body	1.4408
2	End Caps	1.4408
3	Ball	1.4408
4	Ball Seat	TFM 1600
5	Stem	SS316
6	Anti-Static Device	SS316
7	Safety Plate	PTFE
8	O-Ring	FKM
9	V-Ring Packing	PTFE
10	Bushing	50%VA+50%PTFE
11	Pressure Ring	SS316
12	Cup Spring	SS301
13	Spindle Nut	A194-8
14	Rotation Lock	SS304
15	Distance Ring	SS304
17	Case Cover	1.4408
20	Body Gasket	PTFE
21	Cover Gasket	PTFE
22	Screw	A193-B8
24	Nut	A194-8
25	Lever Stop	A193-B8
26	Lever Adapter	1.4308
27	Locking Screw	A193-B8
28	Handlever	A53 galvanised
29	Handle Sleeve	PVC
30	90° Stop	SS304
31	Body Base	1.4408

Nominal Diameter	Ø d	L	Ø R	Ø D	Ø C	f	T	H	H1	N	Ø h	W	P	M	Ø B1	Ø B2	Kg
DN 65	63	290	122	185	145	3	18	107	172	4	18	400	17	17	70	102	31,68
DN 80	75	310	138	200	160	3	20	119	185	8	18	400	17	17	70	102	43,49
DN 100	99	352	158	220	180	3	20	150	221	8	18	400	22	22	-	102	64,38
DN 125	125	460	188	250	210	3	22	215	-	8	18	-	36	36	140	165	140,00
DN 150	150	490	212	285	240	3	22	228,5	-	8	22	-	36	36	140	165	160,00