



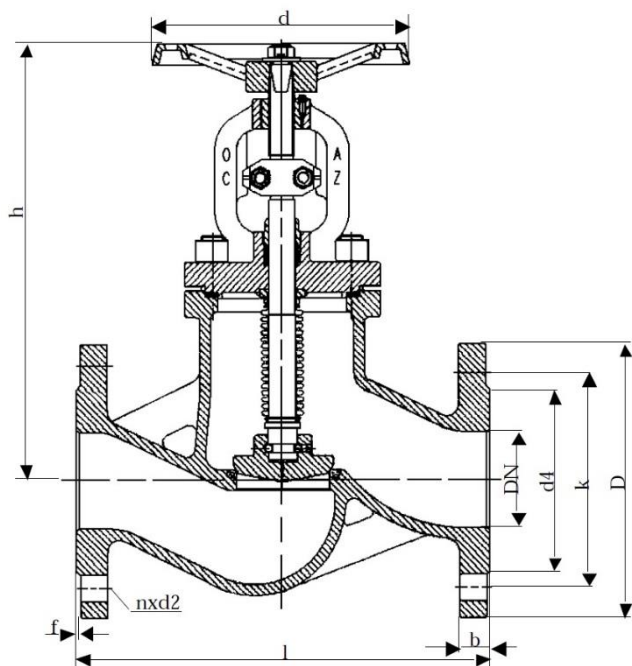
Nominal Pressure: PN 16
Flanges acc. to: EN 1092-1, Form B1
Face to face acc. to: DIN EN 558-1, R 1
Body: Stainless Steel (1.4408)
Straight-way-pattern acc. to DIN 3356 with yoke
and outside stem
Seats: metal
Rising handwheel
Bellow in stainless steel
Material free of non-ferrous metal

Optional:
Throttling plug

Tests/certificates: optional T-Luft, FireSafe

Nominal diameter	Nominal pressure	Article number
DN65	PN16	AV-231-65-16
DN80	PN16	AV-231-65-16
DN100	PN16	AV-231-65-16
DN125	PN16	AV-231-65-16
DN150	PN16	AV-231-65-16
DN200	PN16	AV-231-65-16
DN250	PN16	AV-231-65-16
DN300	PN16	AV-231-65-16

Max. working pressure (bar) to °C					
neutr. liquids up to			neutr. gases up to		
100°C	200°C	300°C	100°C	200°C	300°C
13	10	8,5	13	10	8,5



No.	Part Name	Material
1	Body	1.4408
2	Body seat	1.4408
3	Plug	1.4571
4	Plug seat	1.4571
5	Bellow	1.4401
6	Stem	1.4571
7	Gasket	Graphit/Metall
8	Yoke	1.4408
9	Stud	A4
10	Hexagon nut	A4-70
11	Safety gland	1.4401
12	Packing	Graphit
13	Indicator	1.4401
14	Handwheel	0.7040

Ø DN (mm)	D	k	d4	d	l	h	n	d2	b	f	kg
65	185	145	122	220	290	270	4	18	18	3	17,5
80	200	160	138	250	310	275	8	18	20	3	24,5
100	220	180	158	300	350	420	8	18	20	3	43
125	250	210	188	350	400	455	8	18	22	3	60,5
150	285	240	212	400	480	580	8	22	22	3	90
200	340	295	268	500	600	710	12	22	24	3	149,5
250	405	355	320	500	730	1120	12	26	26	3	210
300	460	410	378	500	850	1170	12	26	28	3	325