

Limit switch box EPE/EAE-2M01 Mechanical switches

Compact and flexible limit switch box
Assembly on actuators acc. to VDI/VDE 3845
Enclosure acc. to DIN EN 60529: IP 67
Cable gland M 20 x 1,5
Sealings: EPDM and NBR
Screws and stem in stainless steel



Type EPE = Body in Polyamide

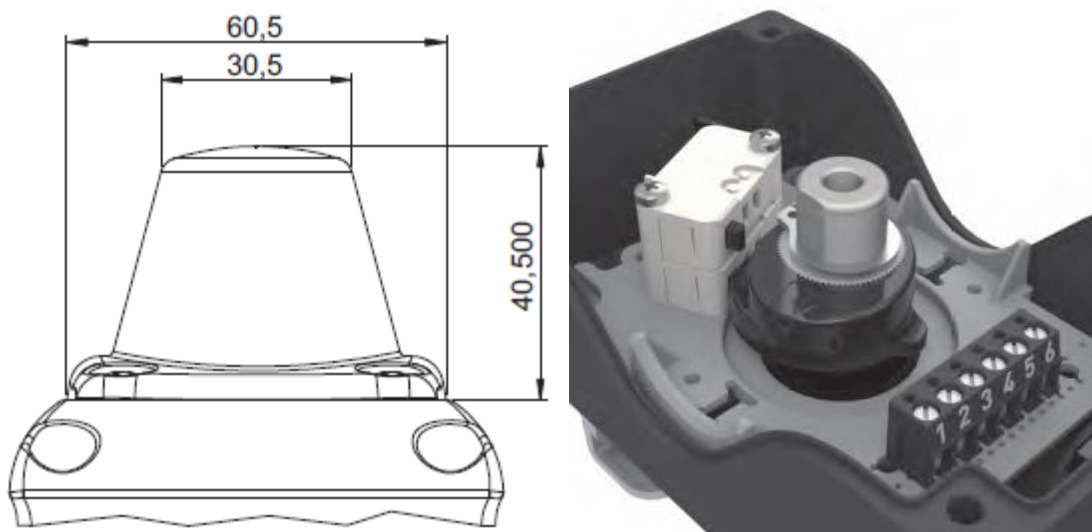
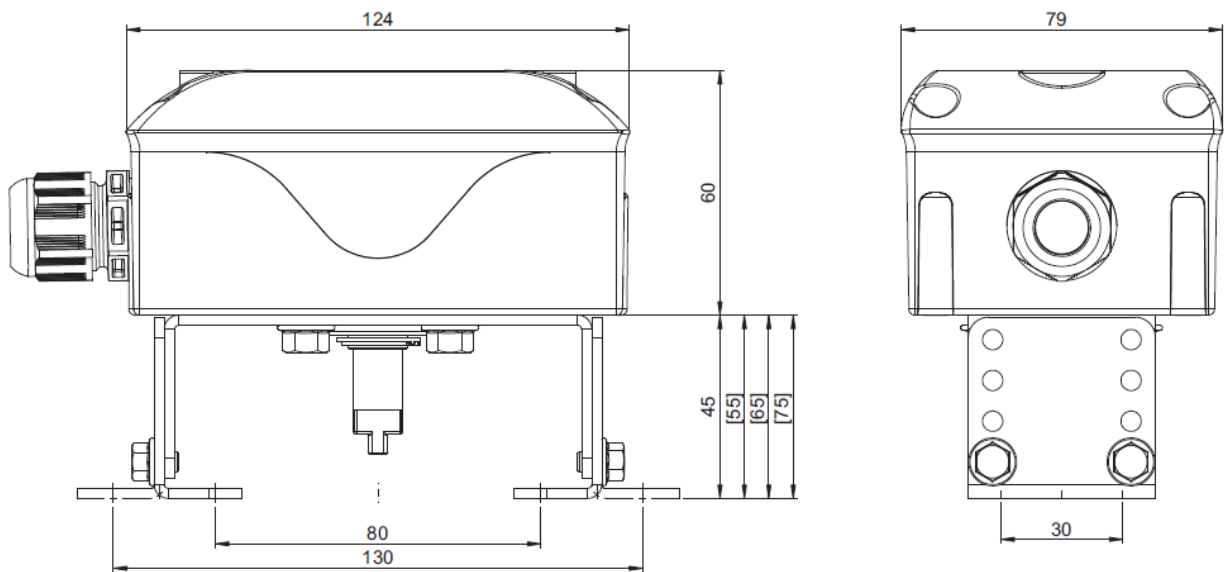
EPE-2M01

Type EAE = Body in Aluminium

EAE-2M01

Optional:
3D visual indicator
2 cable glands





Technical data	
Producer switch	Cherry
Switch type	D44X
Voltage	250V
Maximum current	10A (250V AC) / 2,5A (24V DC)
Contacts	silver
Temperature range	-25°C bis +80°C