

Limit switch box EVE/EAE-2S01-IA Inductive proximity switches



Compact and flexible limit switch box
Assembly on actuators acc. to VDI/VDE 3845
Enclosure acc. to DIN EN 60529: IP 67
Cable gland M 20 x 1,5
Sealings: EPDM and NBR
Screws and stem in stainless steel

Type EVE = Body in Vestamide

EVE-2S01-IA

Type EAE = Body in Aluminium

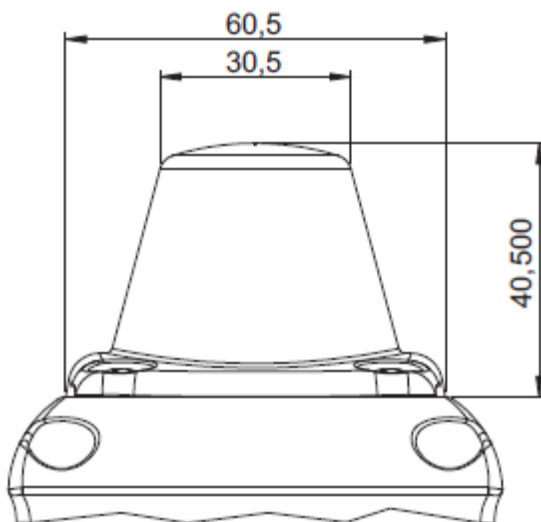
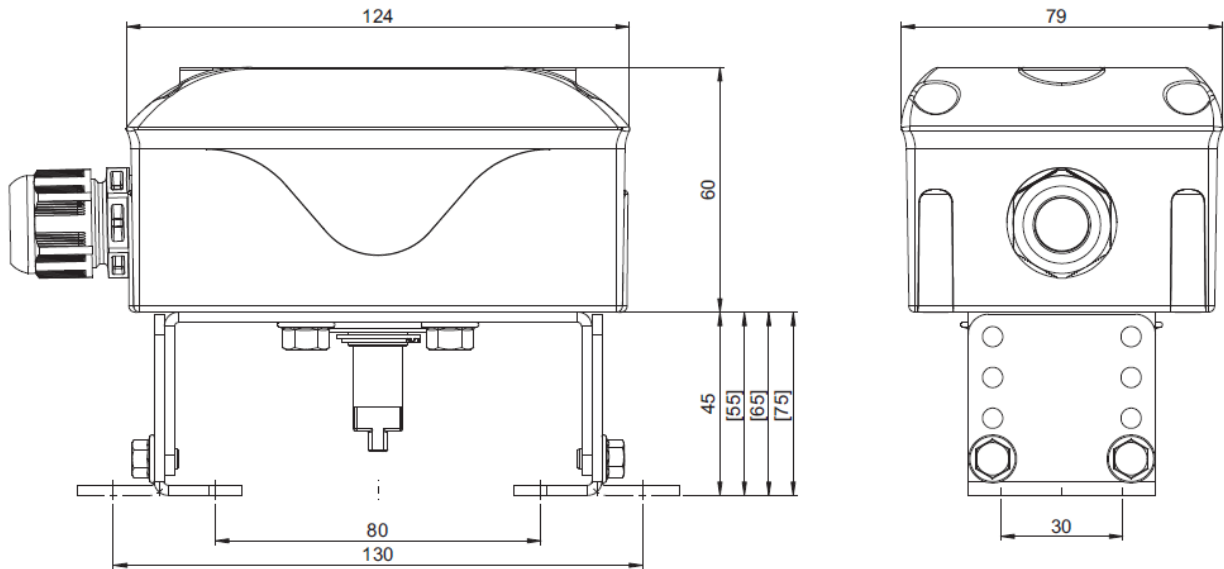
EAE-2S01-IA

Optional:

3D visual indicator

2 cable glands





| Technical data | |
|---------------------|--|
| Producer switch | Pepperl + Fuchs |
| Switch type | SJ3,5-N (opener N.C) |
| Voltage | 8V DC |
| Current consumption | <1 mA |
| Frequency | 3000 Hz |
| ATEX | Ex II 2G Ex ia IIC T6 Gb Ex II 2D Ex ia IIIC T80°C Db |
| Ex-Zone | Zone 1, Zone 21 |
| Temperature range | -25°C ... +70°C |

